



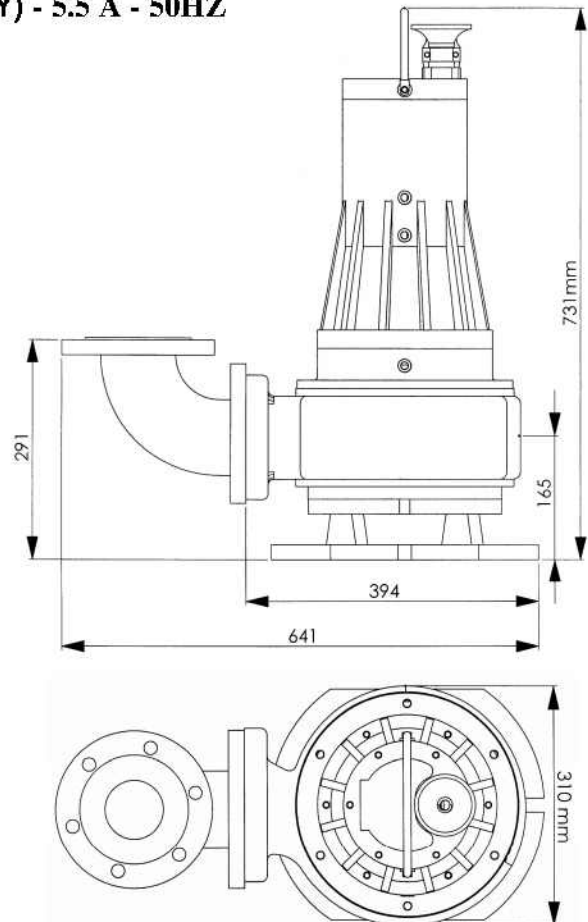
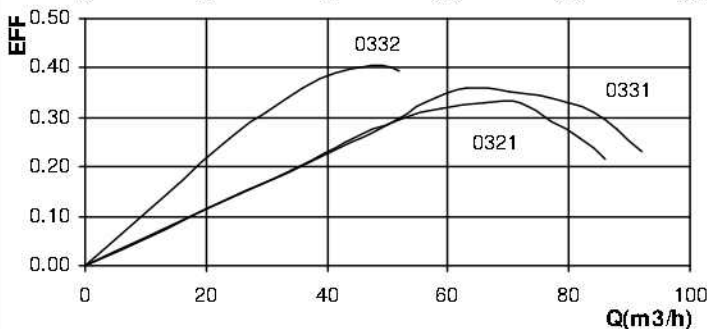
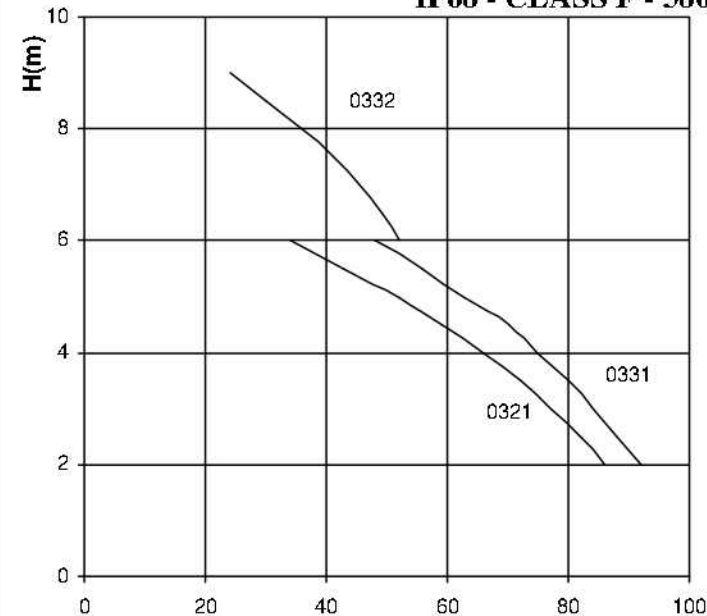
ENGINEERING INFORMATION

TYPE 0321			CAPACITY											
			m ³ /h	86	82	77	72	66	59	52	43	34		
KW	2.2	OUTLET 3 in	l/s	23.9	22.8	21.4	20	18.3	16.4	14.5	12	9.5		
HP	3	PIPE DN 80	HEIGHT											
R.P.M	1450	weight 115kg	m	2	2.5	3	3.5	4	4.5	5	5.5	6		

TYPE 0331			CAPACITY											
			m ³ /h	92	88	84	78	72	66	59	53	48		
KW	2.2	OUTLET 2 in	l/s	25.6	24.5	23.4	21.7	20	18.3	16.4	14.7	13.3		
HP	3	PIPE DN 50	HEIGHT											
R.P.M	1450	weight 115kg	m	2	2.5	3	3.5	4	4.5	5	5.5	6		

TYPE 0332			CAPACITY											
			m ³ /h	52	49	46	40	36	30	24				
KW	2.2	OUTLET 3 in	l/s	14.5	13.6	12.8	11.4	10	8.3	6.7				
HP	3	PIPE DN 80	HEIGHT											
R.P.M	1450	weight 115kg	m	6	6.5	7	7.5	8	8.5	9				

IP68 - CLASS F - 380 V (Y) - 5.5 A - 50HZ





ENGINEERING INFORMATION

TYPE 0322B			CAPACITY												
			m ³ /h	23.4	22.5	21.4	19.9	18.1	16.4	14.6	12.5	10.4	8.1	5.4	2
KW	2.2	OUTLET 2 in	l/s	6.5	6.33	5.94	5.44	5.02	4.55	4.05	3.41	2.85	2.1	1.53	0.55
HP	3	PIPE DN 50	HEIGHT												
R.P.M	2950	weight 62 kg	m	5	7	9	11	13	15	17	19	21	23	25	27

IP68 - CLASS F - 220 V - 9 A - 50HZ

